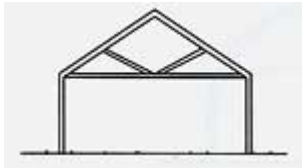
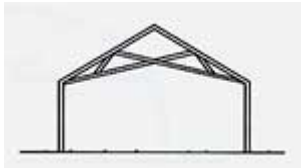


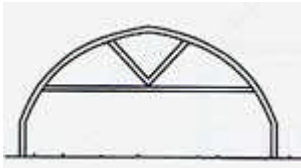
**1. Type of Greenhouse (check one):**



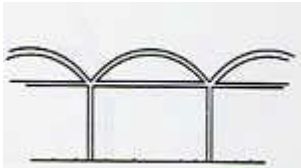
Horizontal Truss



Angled Truss

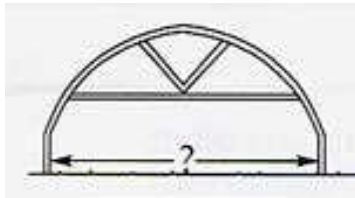


Quonset (Individual)

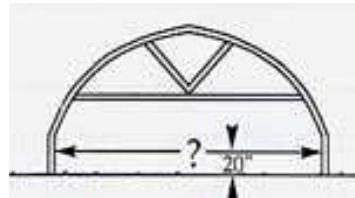


Gutter Connect (Multispan)

**2. Greenhouse Width:**

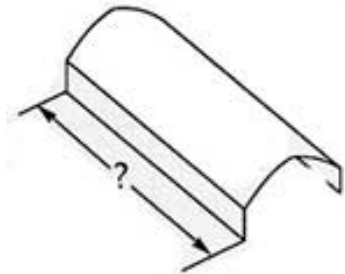



Width at ground

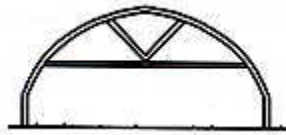



Width above irrigated surface

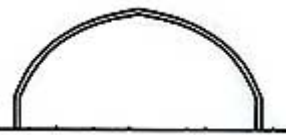
**3. Length of Greenhouse Bay:**




**4. Does greenhouse have trusses or crossbars?**

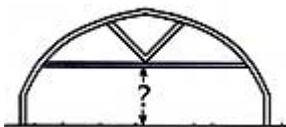


YES

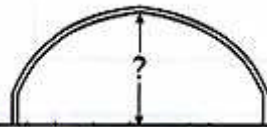


NO

**5. Greenhouse Height:**

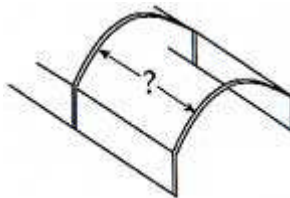



Height to Truss/Cord

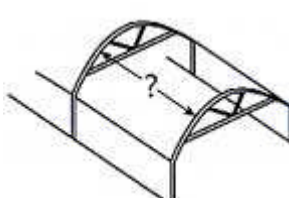



Height to Bow

**6. Distance between trusses or bows:**

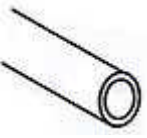
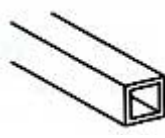
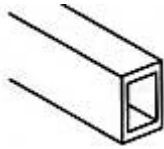

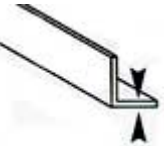
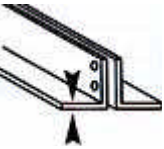
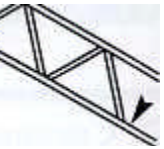



Distance in ft.

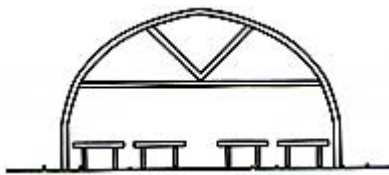



Distance in ft.

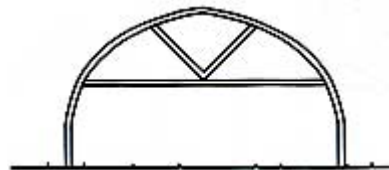
**7. Check type (in upper box) and give size (in lower box) of truss cord or bow:**

Round <input type="checkbox"/>	Square <input type="checkbox"/>	Rectangle <input type="checkbox"/>	Wood <input type="checkbox"/>	Single angle <input type="checkbox"/>	Double angle <input type="checkbox"/>	Multiple course <input type="checkbox"/>
						
<input type="text"/>	<input type="text"/>	<input type="text"/>	<input type="text"/>	<input type="text"/>	<input type="text"/>	<input type="text"/>
Outside Diameter	Outside Diameter	Height x Width	Height x Width	Thickness	Thickness	Describe lower cord of truss

**8. Does the greenhouse have raised benches?**



Yes



No

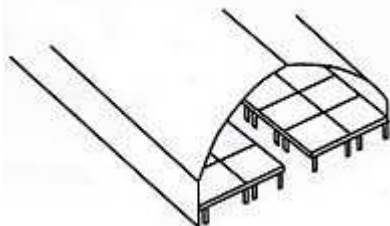
**11. Height of bench top from ground:**  inches.

**12. Benches are ...**

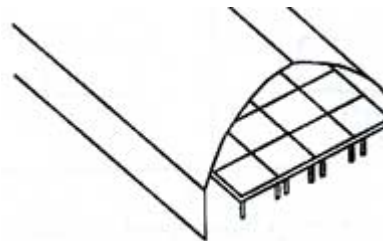
Stationary

Movable

**13. Is there a center walk in the greenhouse?**



Center Isle Walk



Off-set Walk